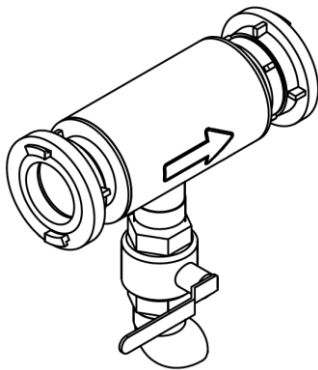




## IFFS STONE CATCHER

**IFFS BV** develops innovative solutions for heavy duty firefighting purposes according customer wishes. All components and systems are optimized to guarantee easy use, maximum capacity and long lifetime.

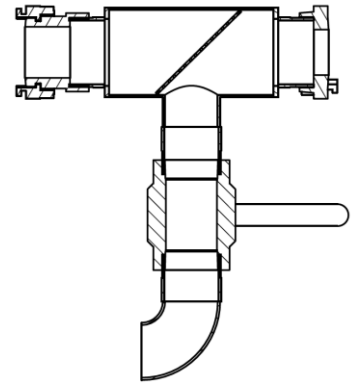
Strainer for stone catchers is designed in elliptical shape for minimal pressure loss. Completely made in stainless steel 316L. Available in mesh width 6 mm or 10 mm. Standard provided with Storz coupling. Other couplings are available upon request.



Provided with 2½" drain outlet complete with ball valve, allowing stone draining during operation.

Standard surface treatment is pickled and passivated.

Painting in desired color is available upon request.



Type:	IFFS part no.	L x B x H (mm)	Weight (kg)	Max. flow (lpm)	Test pressure (bar)
DN75	14.009.075	408 x 177 x 476	7	2900	16
DN110	14.009.110	489 x 209 x 534	12	6200	16
DN150	14.009.150	669 x 228 x 597	20	8500	16



## MORE INFORMATION ??

not hesitate to contact **IFFS BV**.

Do

